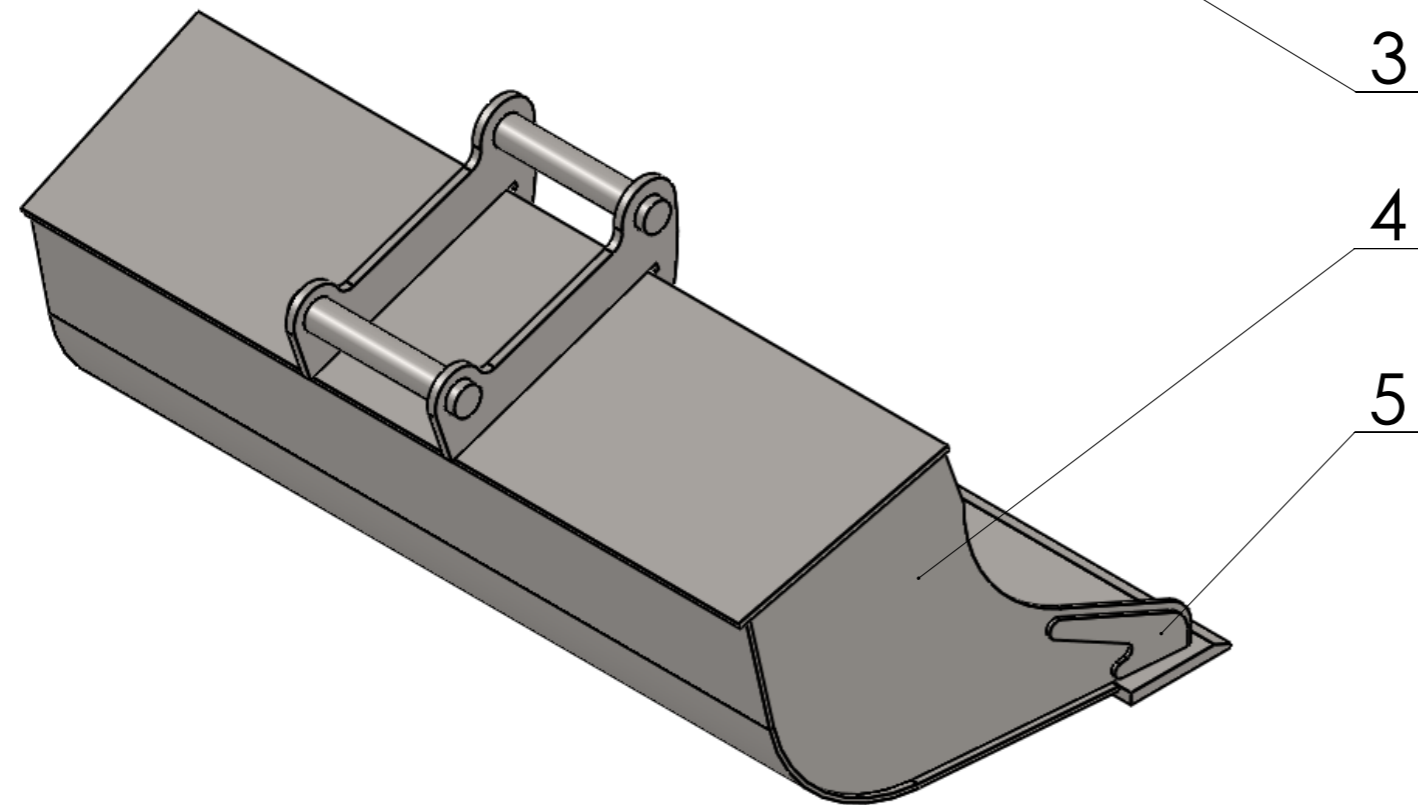


1

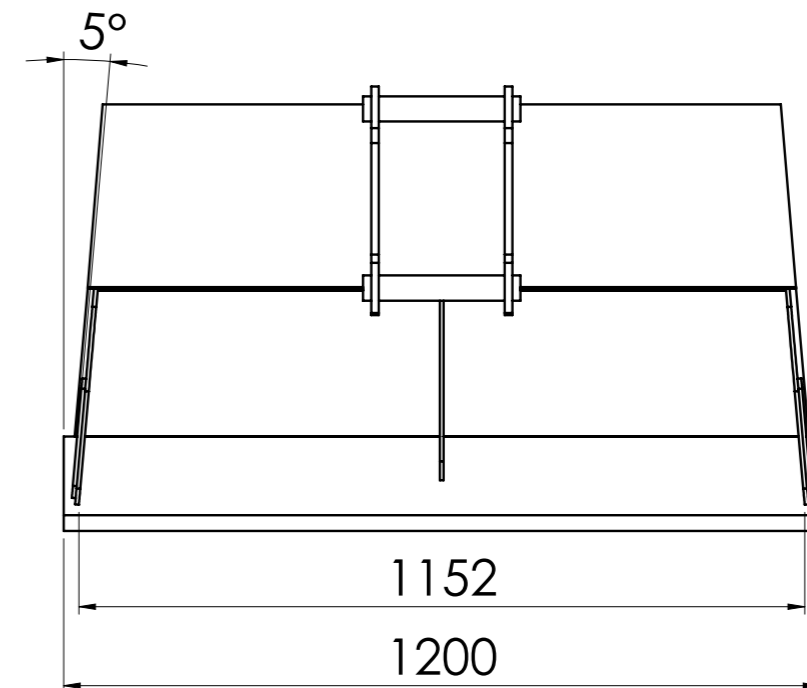
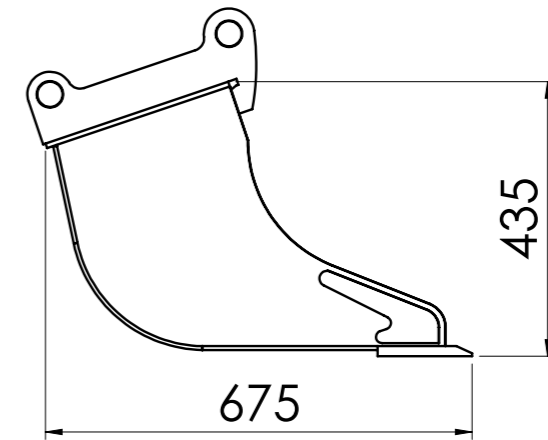
2

3

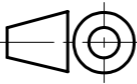



4

5



	Side member	HB 400	6 mm
4	Side	HB 400	6 mm
3	Bottom plate	HB 400	6 mm
2	Rib	HB 400	6 mm
1	Front edge	HB 500	16x150x1200 mm
NO.	TITLE	MATERIAL	DESCRIPTION

	Volume	180 L	Mass	120 kg	Scale
	Drawn	Teet Toming		Name	
	Checked			SPB136	
	Approved				
			Sheet	Date	
			1 of 1	30.09.2015	