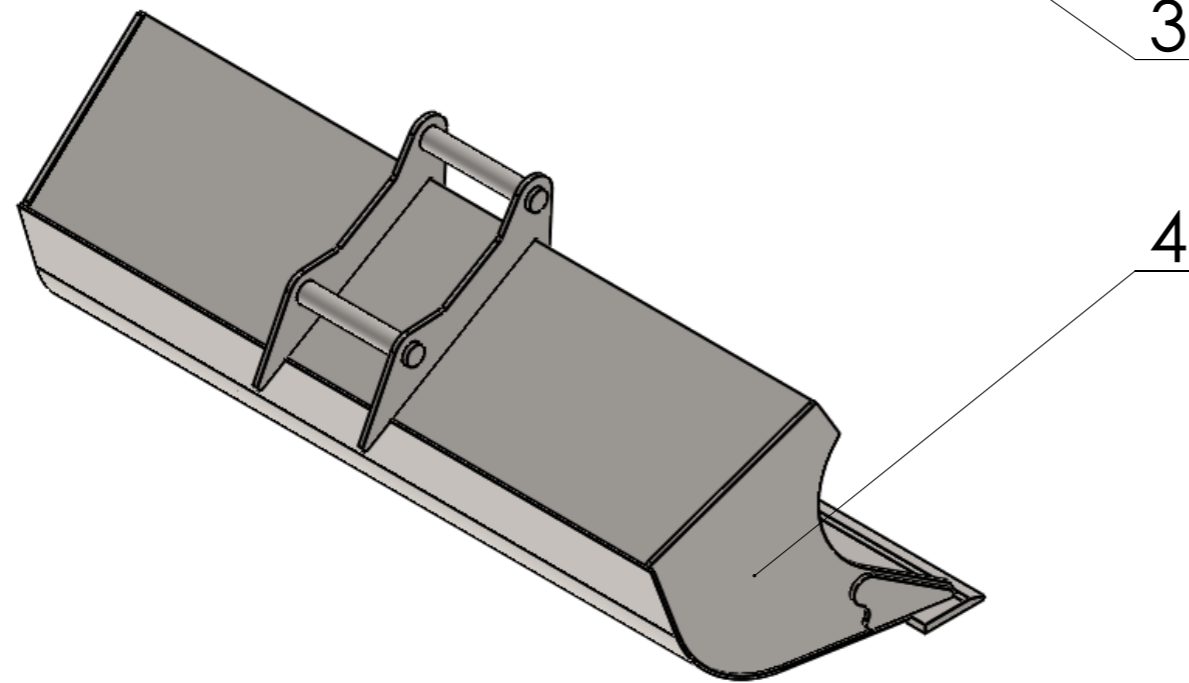
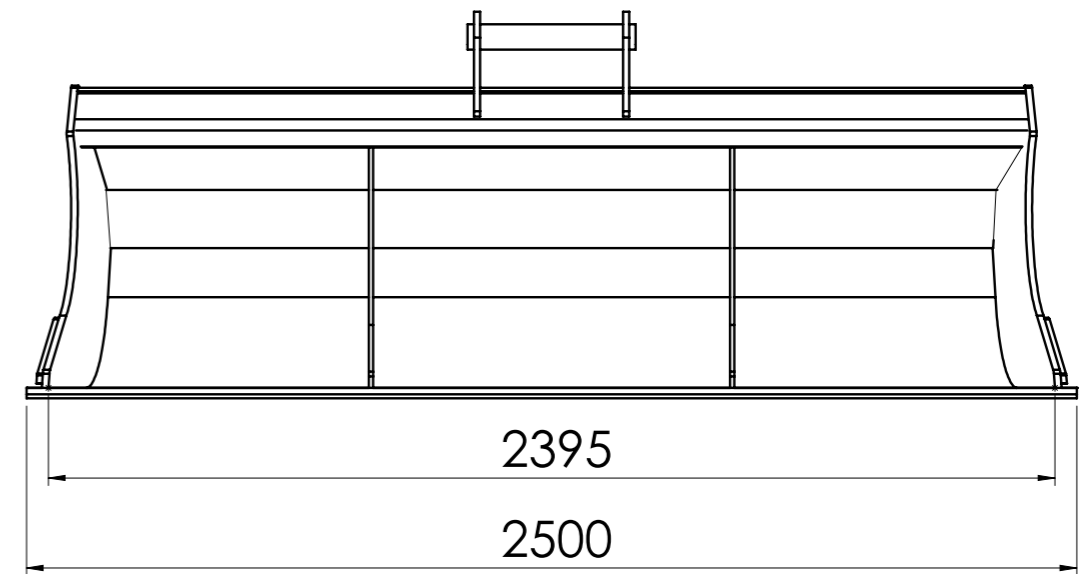
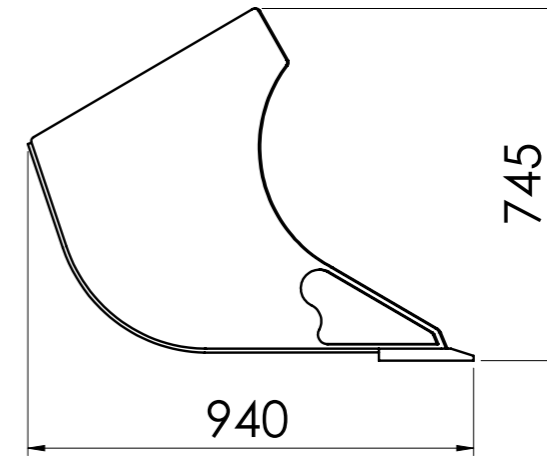


1



4



4	Side member	HB 400	16 mm
3	Rib	HB 400	8 mm
2	Bottom plate	HB 400	8 mm
1	Front edge	HB 500	25x200x2500 mm

NO.	TITLE	MATERIAL	DESCRIPTION
-----	-------	----------	-------------

	Volume	820 L	Mass	550 kg	Scale
--	--------	-------	------	--------	-------

Drawn	Teet Toming	Name
Checked		
Approved		
		SPB158

	Sheet	Date
	1 of 1	17.06.2015

Recommended machine weight <18 t